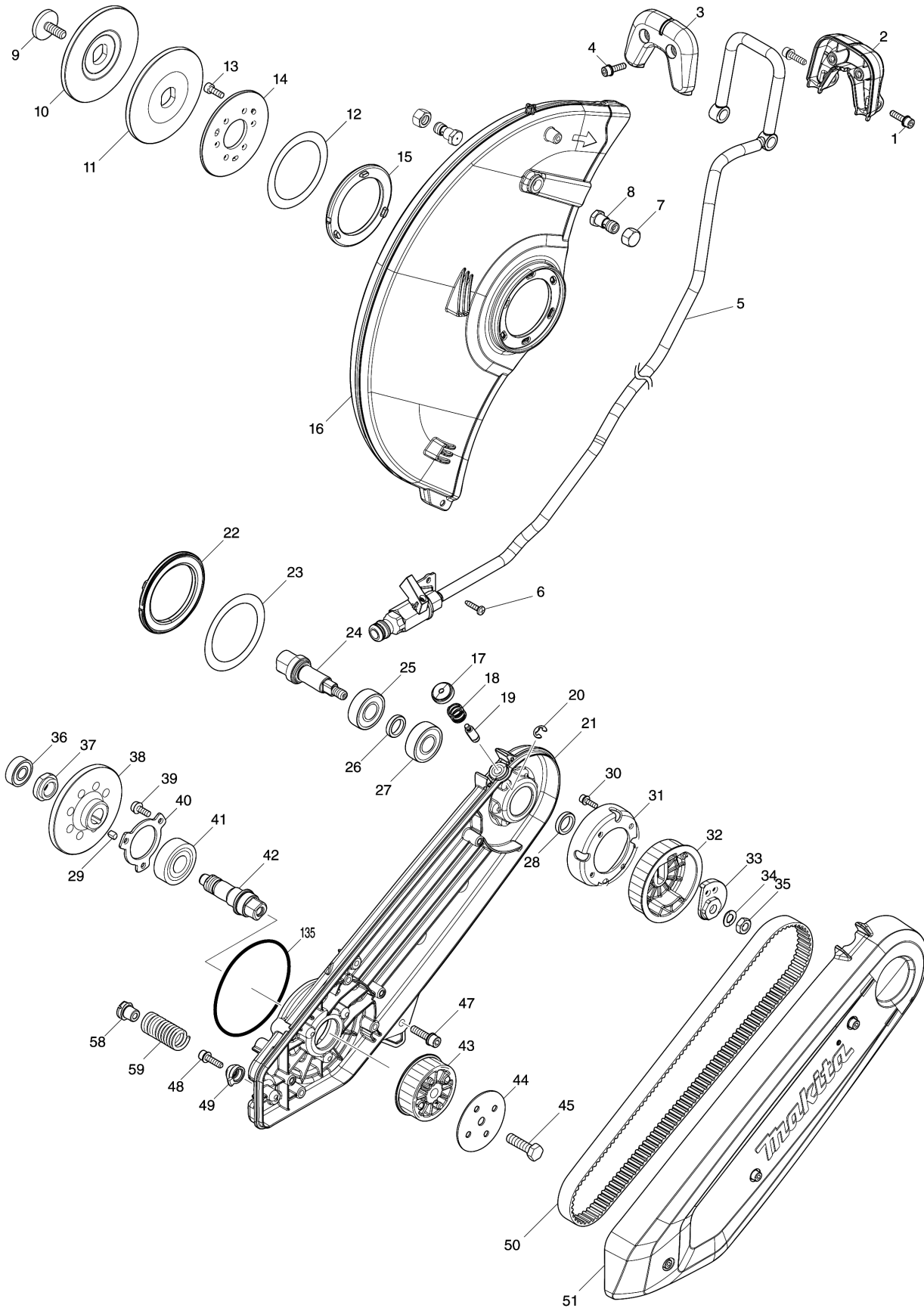
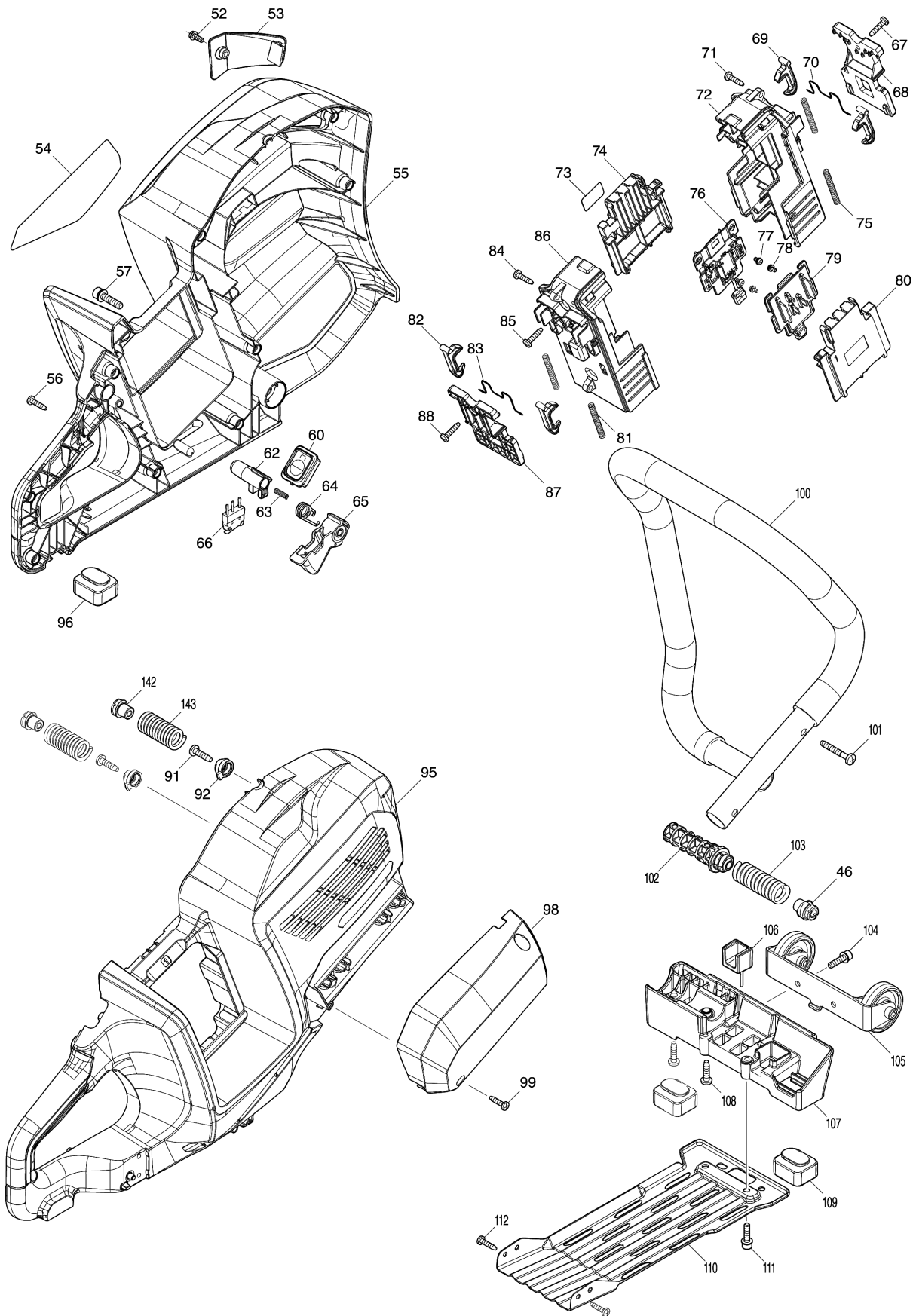


Model No.CE001G 355MM CORDLESS POWER CUTTER



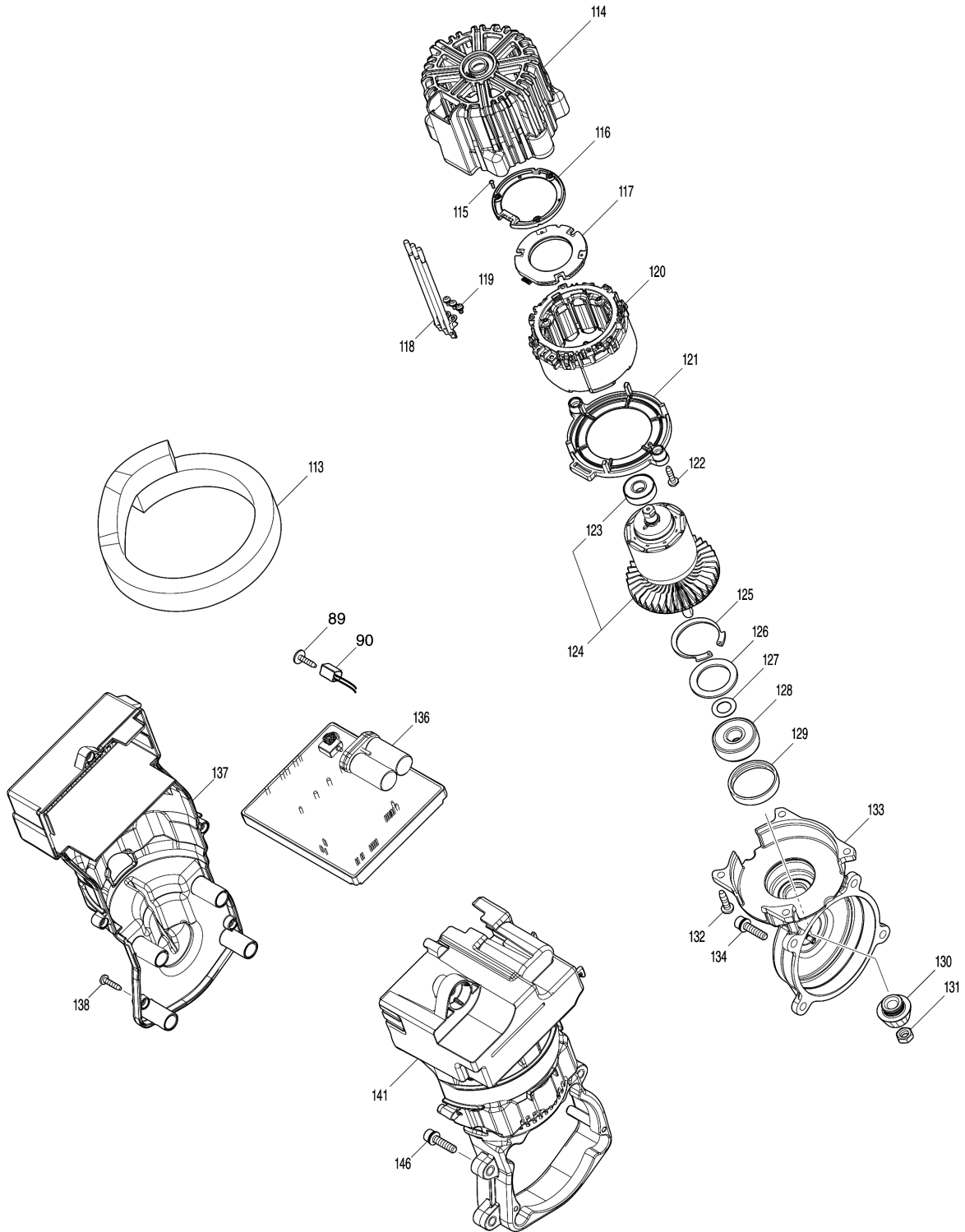


Model No.CE001G 355MM CORDLESS POWER CUTTER





Model No.CE001G 355MM CORDLESS POWER CUTTER





Model No.CE001G 355MM CORDLESS POWER CUTTER

Položaj	Številka dela	Opis	Sprememba	Količina	New/Old	Opcijsko 1	Opcijsko 2	Opomba
001	922233-6	Inbus vijak M5X20 DCS230T		2				
002	183U98-9	WHEEL COVER GRIP SET		1				
D10		INC. 3						
003	183U98-9	WHEEL COVER GRIP SET		1				
D10		INC. 2						
004	922233-6	Inbus vijak M5X20 DCS230T		2				
005	122B46-9	HOSE ASSEMBLY		1				
006	266326-2	Pločevinasti vijak 4x18 UB1103		2				
007	252306-4	HEX.NUT M10		2				
008	265C26-9	HEX.BOLT M10X21		2				
009	266976-3	HEX. BOLT M8X25		1				
010	224622-4	FLANGE 92		1				
011	224622-4	FLANGE 92		1				
012	424792-1	SLIDING DISK		1				
013	922217-4	Inbus vijak M5X14 BHX2501		6				
014	347917-9	SPINDLE PLATE 83		1				
015	422822-2	RUBBER RING 56		1				
016	312C31-8	WHEEL COVER 355		1				
017	451485-7	Gumb blokirnega zatiča GA9050		1				
018	233089-5	Tlačna spiralna vzmet 9067		1				
019	256947-8	SHOULDER PIN 7		1				
020	961012-7	Zaporno tesnilo E-6		1				
021	312C29-5	CUTTING DEVICE		1				
022	422822-2	RUBBER RING 56		1				
023	424792-1	SLIDING DISK		1				
024	327927-2	SPINDLE		1				
025	211238-4	Kroglični ležaj 6202LLU		1				
026	257868-7	RING 15		1				
027	211238-4	Kroglični ležaj 6202LLU		1				
028	257868-7	RING 15		1				
029	254201-4	KEY 4		1				
030	922123-3	Inbus vijak M4X14 DCS230T		2				
031	347915-3	PULLY BOTTOM PLATE		1				
032	222201-2	PULLEY 17-70.5		1				
033	313415-5	ECCENTRIC DISK		1				
034	267822-3	Vzmetna podložka 8		1				
035	264022-6	HEX. NUT M8X1		1				
036	211062-5	Kroglični ležaj 6000ZZ		1				
037	252429-8	Matica M15-23		1				
038	227922-1	SPIRAL BEVEL GEAR 53		1				
039	265074-0	PAN HEAD SCREW M5X16		3				

Model No.CE001G 355MM CORDLESS POWER CUTTER

Položaj	Številka dela	Opis	Sprememba	Količina	New/Old	Opcijsko 1	Opcijsko 2	Opomba
040	285049-3	BEARING RETAINER 33-59		1				
041	211278-2	Kroglični ležaj 6203DDW GA7020		1				
042	327926-4	GEAR SHAFT		1				
043	222202-0	PULLEY 17-54.6		1				
044	347918-7	PULLEY PLATE 59		1				
045	265C27-7	HEX.BOLT M8X30		1				
046	312C35-0	SPRING HOLDER C		1				
047	922343-9	H.S.H.BOLT M6X25 WITH WR		1				
048	922233-6	Inbus vijak M5X20 DCS230T		1				
049	312C33-4	SPRING HOLDER A		1				
050	225106-5	SYNCHRO BELT 15-750		1				
051	141G40-2	BELT COVER COMPLETE		1				
C10	265B09-3	H.S. HEAD BOLT M5X30 WITH WR		3				
052	911118-1	Vijak z nizko cilindrično glavo M4x12		1				
053	413C66-3	LENS		1				
054	8116C0-0	CE001G NAME PLATE		1				
055	183W18-5	HANDLE SET		1				
C10	8040V4-6	XGT LOGO LABEL		1				
D10		INC. 95						
056	266326-2	Pločevinasti vijak 4x18 UB1103		9				
057	922343-9	H.S.H.BOLT M6X25 WITH WR		1				
058	312C34-2	SPRING HOLDER B		1				
059	232729-2	COMPRESSION SPRING 13		1				
060	141G39-7	SWITCH CIRCUIT COMPLETE		1				
062	413C73-6	LOCK OFF BUTTON		1				
063	232444-8	COMPRESSION SPRING 4		1				
064	232732-3	TORSION SPRING 10		1				
065	413C72-8	SWITCH LEVER		1				
066	632T61-8	SWITCH UNIT		1				
067	266326-2	Pločevinasti vijak 4x18 UB1103		1				
068	413C77-8	LOCK COVER		1				
069	413C76-0	BATTERY ADAPTER LOCK		2				
070	232731-5	LEVER SPRING		1				
071	266326-2	Pločevinasti vijak 4x18 UB1103		2				
072	183U87-4	TERMINAL BOX SET		1				
C10	263005-3	Gumi zatič 6		4				
D10		INC. 86						
073	8116C7-6	CE001G SERIAL NO. LABEL		1				



Model No.CE001G 355MM CORDLESS POWER CUTTER

Položaj	Številka dela	Opis	Sprememba	Količina	New/Old	Opcijsko 1	Opcijsko 2	Opomba
074	183U89-0	BATTERY ADAPTER SET		1	*			
D10		INC. 80			*			
074-1	413C74-4	BATTERY ADAPTER L	X	1				
075	232730-7	COMPRESSION SPRING 5		2				
076	632T08-2	TERMINAL UNIT		1				
077	652031-1	PAN HEAD SCREW M3X6		2				
078	652031-1	PAN HEAD SCREW M3X6		2				
079	632T08-2	TERMINAL UNIT		1				
080	183U89-0	BATTERY ADAPTER SET		1	*			
D10		INC. 74			*			
080-1	413C75-2	BATTERY ADAPTER R	X	1				
081	232730-7	COMPRESSION SPRING 5		2				
082	413C76-0	BATTERY ADAPTER LOCK		2				
083	232731-5	LEVER SPRING		1				
084	266326-2	Pločevinasti vijak 4x18 UB1103		2				
085	266326-2	Pločevinasti vijak 4x18 UB1103		2				
086	183U87-4	TERMINAL BOX SET		1				
C10	263005-3	Gumi zatič 6		4				
D10		INC. 72						
087	413C77-8	LOCK COVER		1				
088	266326-2	Pločevinasti vijak 4x18 UB1103		1				
089	265620-9	TAPPING SCREW FLANGE 4X18		1				
090	620H50-3	LED CIRCUIT		1				
091	266021-4	Samovrezni vijak 5x20		2				
092	312C33-4	SPRING HOLDER A		2				
095	183W18-5	HANDLE SET		1				
C10	8040V4-6	XGT LOGO LABEL		1				
D10		INC. 55						
096	422823-0	REAR FOOT		1				
098	413C69-7	HOSE COVER		1				
099	266326-2	Pločevinasti vijak 4x18 UB1103		2				
100	327928-0	FRONT GRIP 26		1				
101	266373-3	Samovrezni vijak 5x35		2				
102	413C71-0	SPRING HOLDER D		1				
103	232728-4	COMPRESSION SPRING 12		1				
104	922233-6	Inbus vijak M5X20 DCS230T		2				
105	122B47-7	CASTER ASSEMBRY		1				
106	424788-2	DAMPER		1				
107	312C32-6	STAND SUPPORT		1				
108	266021-4	Samovrezni vijak 5x20		2				

Model No.CE001G 355MM CORDLESS POWER CUTTER

Položaj	Številka dela	Opis	Sprememba	Količina	New/Old	Opcijsko 1	Opcijsko 2	Opomba
109	422823-0	REAR FOOT		2				
110	347916-1	BOTTOM GUARD		1				
111	922233-6	Inbus vijak M5X20 DCS230T		2				
112	266326-2	Pločevinasti vijak 4x18 UB1103		2				
113	422821-4	SPONGE SHEET		1				
114	413C70-2	MOTOR HOUSING		1				
115	266490-9	TAPPING SCREW PT 2X6		3				
116	687B69-9	STOPPER		1				
117	620E26-2	CONTROLLER B		1				
118	632T58-7	LEAD UNIT		1				
119	652031-1	PAN HEAD SCREW M3X6		3				
120	629A92-2	STATOR		1				
121	459144-7	BAFFLE PLATE		1				
122	266326-2	Pločevinasti vijak 4x18 UB1103		2				
123	210059-1	Kroglični ležaj 6000DDW GA9050		1				
124	519717-9	ROTOR ASS'Y		1				
D10		INC. 123						
125	962211-4	Zaščitni obroč R-42 GA9020		1				
126	253545-9	FLAT WASHER 28		1				
127	267212-0	Ploska kovinska podložka 12		1				
128	211132-0	Kroglični ležaj 6301DDW GA7020		1				
129	262085-6	Gumi obroček 38		1				
130	227921-3	SPIRAL BEVEL GEAR 15		1				
131	252178-7	Šesterokotna matica M8-12		1				
132	266021-4	Samovrezni vijak 5x20		4				
133	141G44-4	GEAR HOUSING COMPLETE		1				
134	922343-9	H.S.H.BOLT M6X25 WITH WR		4				
135	213806-9	O Tesnilo 90		1				
136	620H49-8	CONTROLLER		1				
137	183U88-2	MOTOR HOUSING COVER SET		1				
D10		INC. 141						
138	266326-2	Pločevinasti vijak 4x18 UB1103		5				
141	183U88-2	MOTOR HOUSING COVER SET		1				
D10		INC. 137						
142	312C34-2	SPRING HOLDER B		2				
143	232729-2	COMPRESSION SPRING 13		2				
146	922343-9	H.S.H.BOLT M6X25 WITH WR		5				
A01	123121-2	COUPLING SLEEVE		1				

Model No.CE001G 355MM CORDLESS POWER CUTTER

Položaj	Številka dela	Opis	Sprememba	Količina	New/Old	Opcijsko 1	Opcijsko 2	Opomba
A02	191W53-9	RING SET		1				
A03	782037-6	BOX WRENCH 13-19		1				
A04	E-12996	DIAMOND WHEEL 355MM SEGMENTED		1				

Please order the parts with part number.

Print Date 25/5/2022